

**PRODUCT:**

Remote Control for RGB/RGBW LED Strips

**FEATURES:**

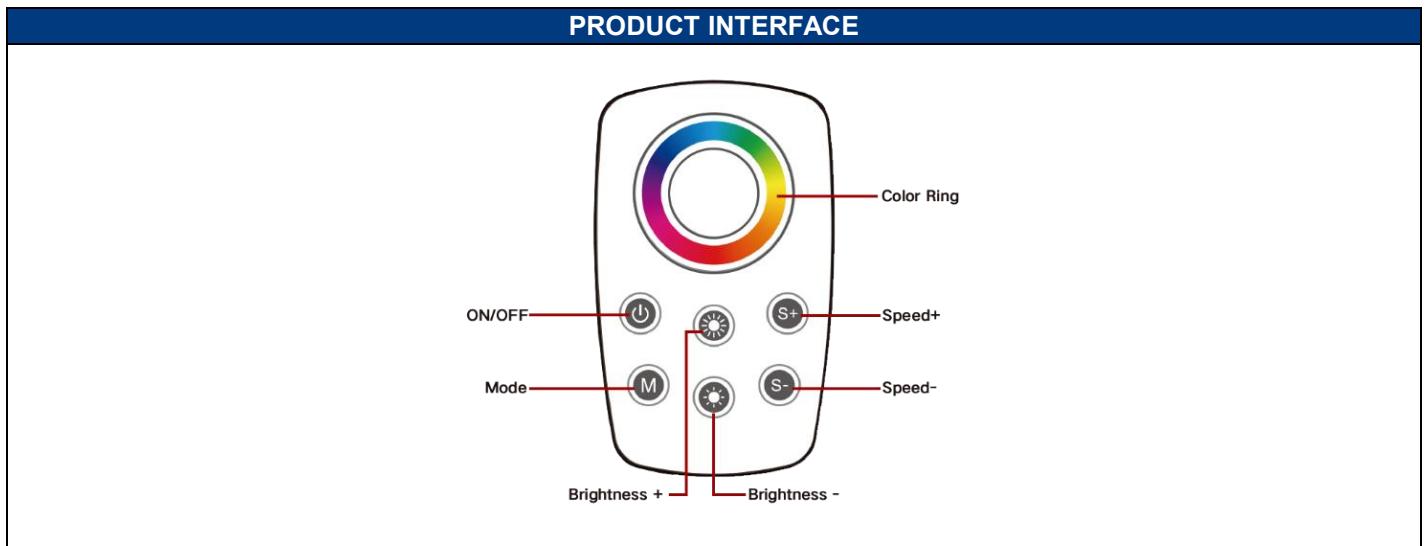
2.4G RF remote control, 20m distance transmission.  
 Real-time adjustment of LED RGB/RGBW color selections, brightness, color modes, cycle speed, etc.  
 Compatible with LED strip lights or constant voltage panel lights.  
 Ultra slim design.  
 Compatible with YujiElecs 4-channel flicker-free dimmer receiver (YJ-CT-RB4C-G01) and a variety of other control devices.



**DESCRIPTION:**

This YujiElecs remote control for RGB/RGBW LED strips is a simple and easy way to customize 5-wire 4-channel LED strips. Pairing with YujiElecs flicker-free dimmer receiver, it simplifies multi-color LED strip installation and helps create the perfect ambiance for any occasion by choosing whether to fade, step or strobe through the color cycle, and by adjusting the speed and brightness.

TECHNICAL PARAMETERS	
Battery	CR2032 3VDC
Working Current	<20mA
Wireless Frequency	2.4GHz ISM
Remote Control Distance (max.)	20m
Dimensions	100(L)*61.5(W)*9(H) mm
Weight	35g
Operating Temperature	-30°C~55°C



**PRODUCT:**

4-channel Dimmer Receiver

**FEATURES:**

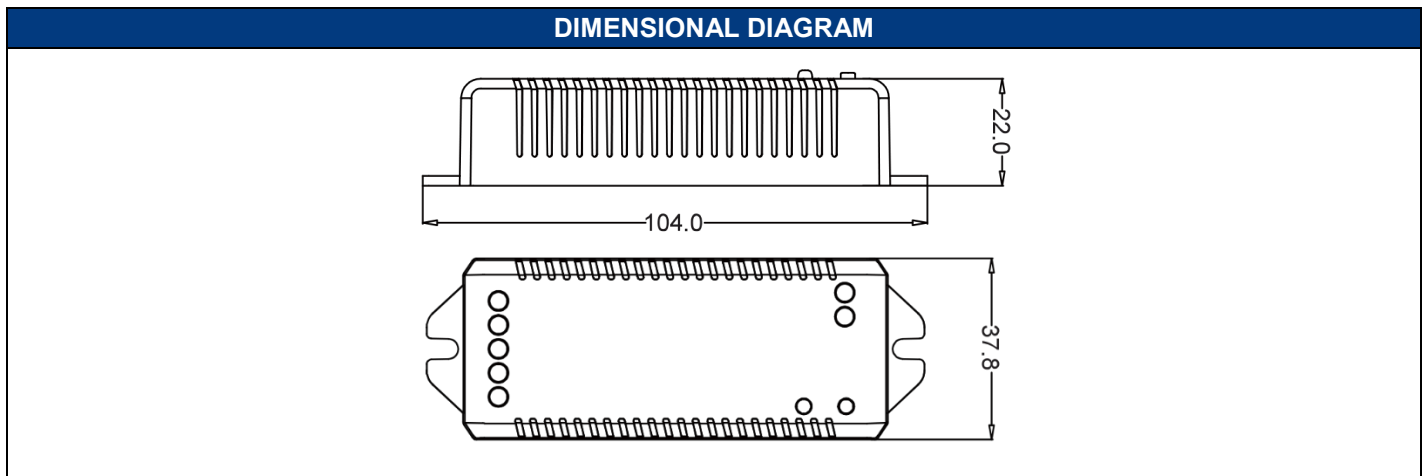
- 12-24V DC input
- 4 constant voltage output, each channel 5A max.
- 2.4G RF remote control, 20m distance transmission.
- 10 preset modes
- Compatible with LED strip lights or constant voltage panel lights.
- Can be used with a variety of remote controllers.

**DESCRIPTION:**

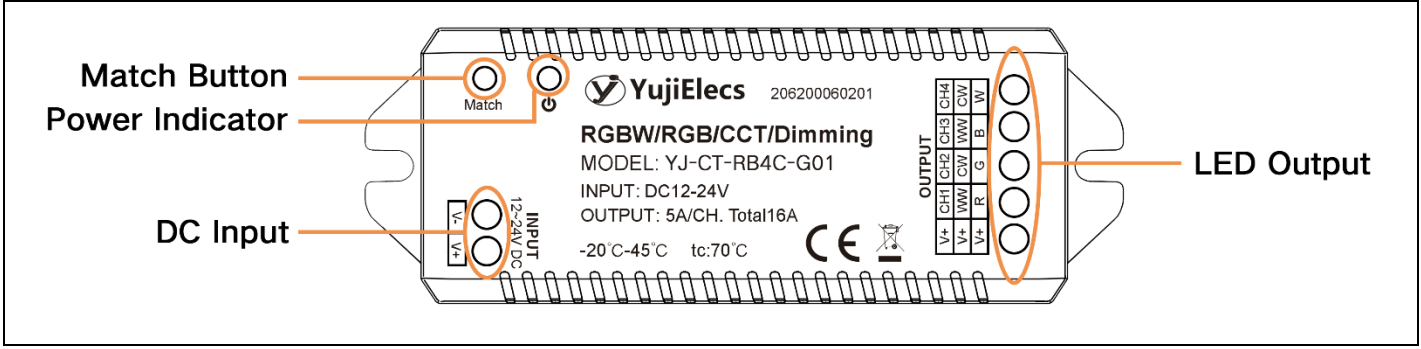
This YujiElecs 4-channel dimmer receiver can control most 12V or 24V LED strip lights when paired with a compatible remote control. Together with the remote, it can easily control white, tunable white, RGB, and RGBW LED strips. Use the remote to set any color temperature, brightness or color cycle for any desired color mode.



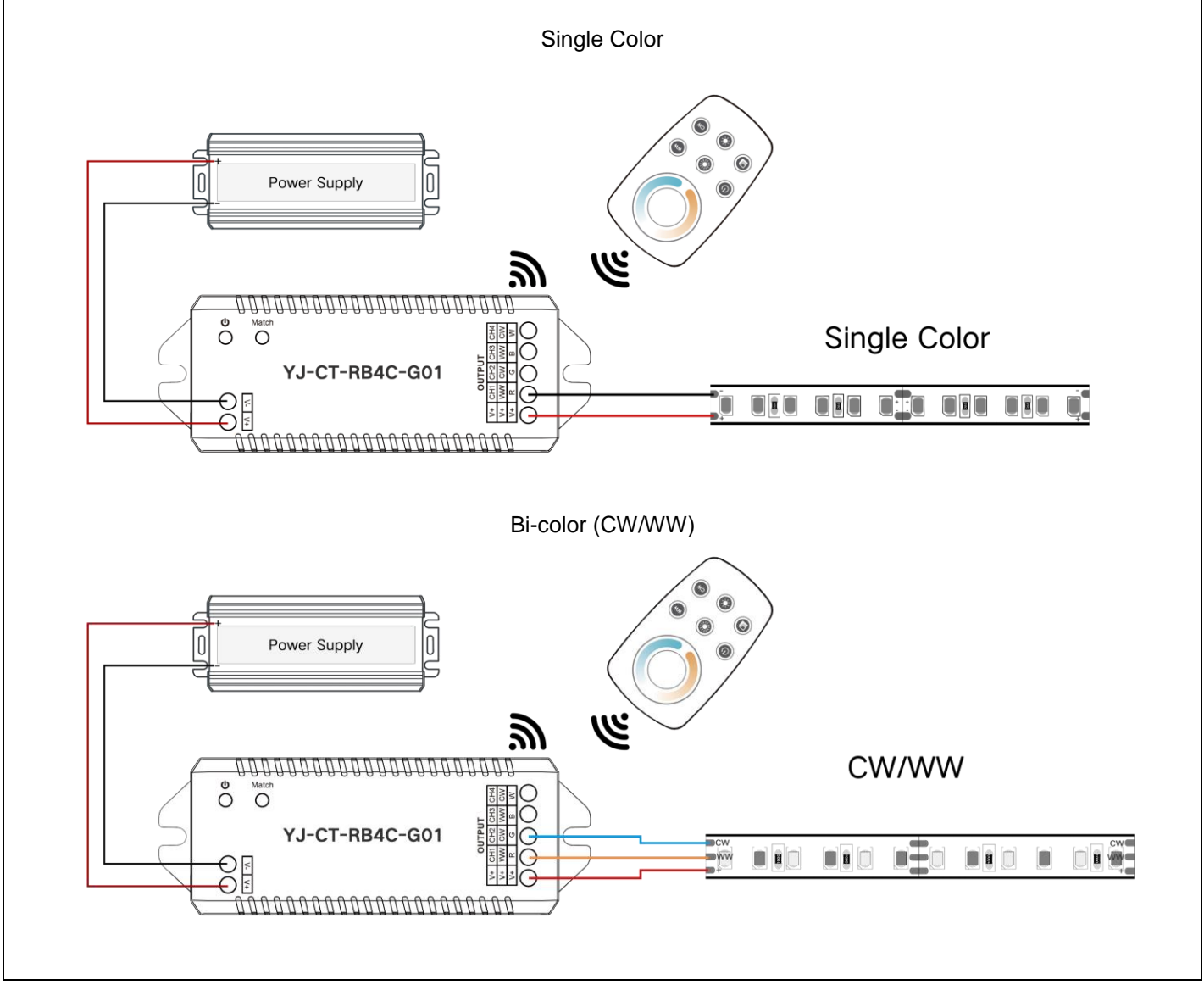
TECHNICAL PARAMETERS	
Channels	4 channels
Input Voltage	12-24V DC
Output Voltage	12-24V DC
Output Current	5A/CH Total Max 16A
Preset Color Modes	10
Protections	Short-circuit, over current, over temperature
Dimensions	104 mm x 37.8 mm x 22 mm
Weight	51g
Operating Temperature	-20°C~45°C

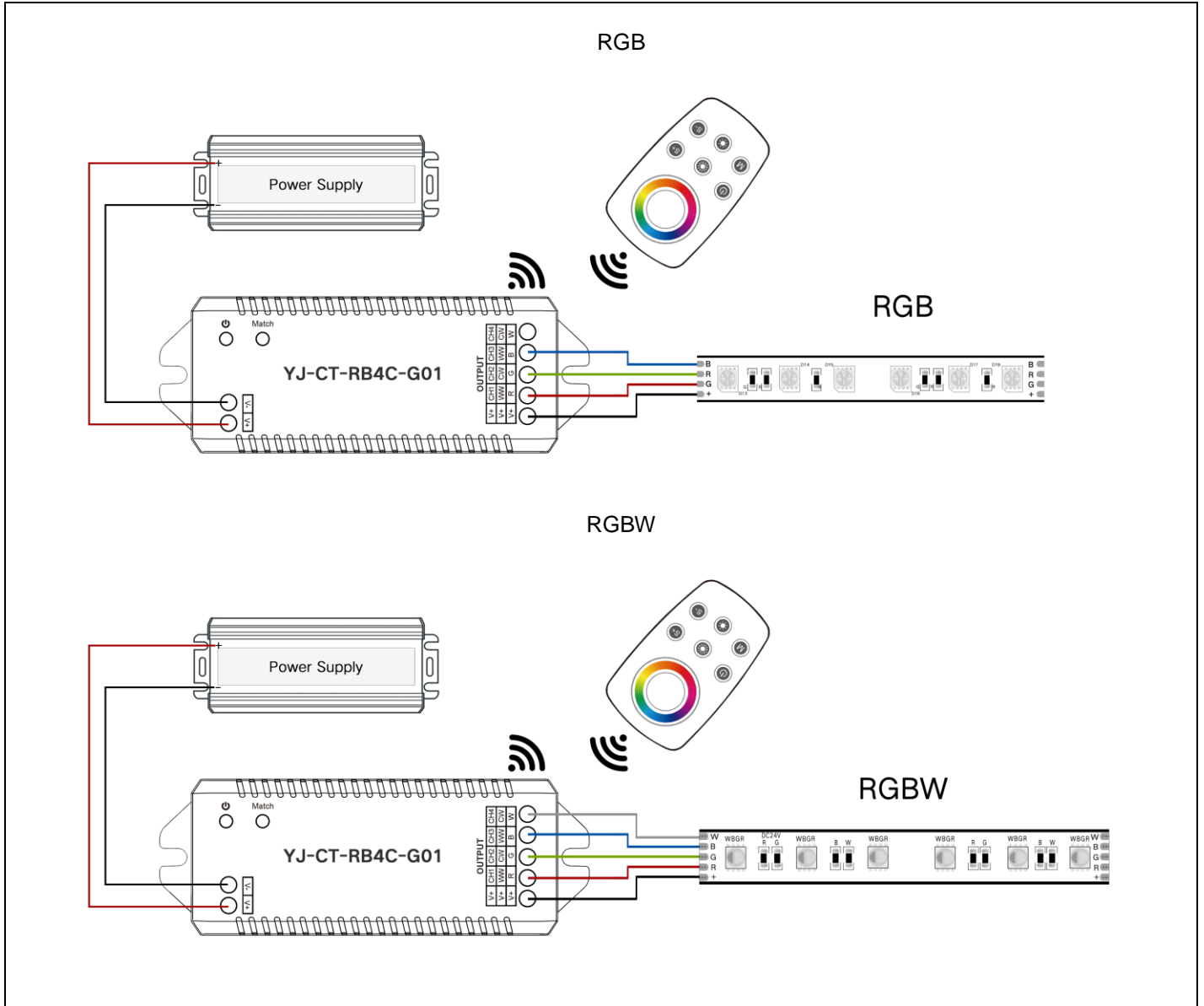


### PRODUCT INTERFACE



### WIRING DIAGRAM





### MATCHING INSTRUCTIONS

#### With Power Switch

**Connect:** Turn off the power for 10 seconds and turn on again. Press the ON/OFF button on the remote 3 times within 5 seconds, and the lights will blink 3 times to indicate a successful sync.

**Disconnect:** Turn off the power for 10 seconds and turn on again. Press the ON/OFF button on the remote 6 times within 5 seconds, and the lights will blink 6 times. The remote is disconnected.

PRESET MODES	
1. Red/Green/Blue jump	6. RGB fade in/out
2. Red/Green/Blue fade	7. Red fade in/out
3. 6 color jump	8. Green fade in/out
4. 6 color fade	9. Blue fade in/out
5. Yellow/Cyan/Purple fade	10. White fade in/out

TROUBLESHOOTING	
If the light is not turning on:	<ol style="list-style-type: none"> <li>1. Make sure the Power Indicator on the receiver is on. If it's not the receiver isn't getting power,</li> <li>2. Make sure the polarity of the power supply wires match the polarity of the channels on the receiver input terminal.</li> <li>3. Check the polarity on the receiver output terminal. Make sure that the LED strip channels are connected to the receiver correctly.</li> <li>4. Make sure all the connections (solderless connectors, solder joints, terminal blocks, and spliced wires) are secure and making correct contact.</li> <li>5. Make sure the power supply is compatible and is sufficient to handle the load of the LED.</li> </ol>
If the remote is not responding or responding with a delay:	<ol style="list-style-type: none"> <li>1. Reinstall the battery in the remote.</li> <li>2. Replace with a new battery for the remote.</li> <li>3. Check if the remote distance is too far. Try to use the remote on a closer spot.</li> </ol>



# YJ-RCT-RB4C-G01

## Specification & User Manual

### Remote Control for RGB/RGBW LED Strips

**ON/OFF:** To sync/disconnect with the dimmer receiver, turn off the power for 10 seconds and turn on again. Quickly press the ON/OFF button 3 times within 5 seconds. The light will blink 3 times to indicate it is synced. To turn on/off and control the light, press the ON/OFF button 5 seconds after turning on the dimmer receiver. Avoid pressing the button too quickly when controlling the light, otherwise the receiver will not respond.

**Color Ring:** Touch and slide to change and select the desired color.

**Mode Button:** Press to change and display the preset modes. Hold the button to enter white light mode.

**Brightness+/Brightness-:** Press to increase or decrease the LED brightness. Hold the button for quicker adjustment.

**Speed+/Speed-:** Press to increase or decrease the speed of the color cycle.

#### PRESET MODES

1. Red/Green/Blue jump	6. RGB fade in/out
2. Red/Green/Blue fade	7. Red fade in/out
3. 6 color jump	8. Green fade in/out
4. 6 color fade	9. Blue fade in/out
5. Yellow/Cyan/Purple fade	10. White fade in/out

#### INSTRUCTIONS

**Battery Installation:** Use one CR2032 battery. Avoid touching the color wheel or any button when installing or replacing the battery. This will affect the sensitivity of the remote. Use the remote 5 seconds after battery installation. If a decrease in the sensitivity is observed, re-install the battery in the correct way.

**Connect:** Turn off the power of the dimmer receiver to sync with for 10 seconds and turn it on again. Press the ON/OFF button on the remote 3 times within the next 5 seconds. Then the lights will blink 3 times to indicate a successful sync.

**Disconnect:** Turn off the power of the dimmer receiver for 10 seconds and turn on again. Press the ON/OFF button on the remote 6 times within 5 seconds, and the lights will blink 6 times. The remote is successfully disconnected.